

Name & Address:

To ensure that you will get your liner quickly, double check your work BEFORE faxing it to us. Incomplete or incorrect orders will not be considered for production until all questions have been answered.



Job Name: _____ Date: _____
 Order Placed By: _____ Time: _____
 Order Taken By: _____
 Phone #: _____
 Fax #: _____
 PO #: _____

Customized Pattern Choice (Fill In The Pattern You Want)

Wall		20	28
Floor		20	28

Mil

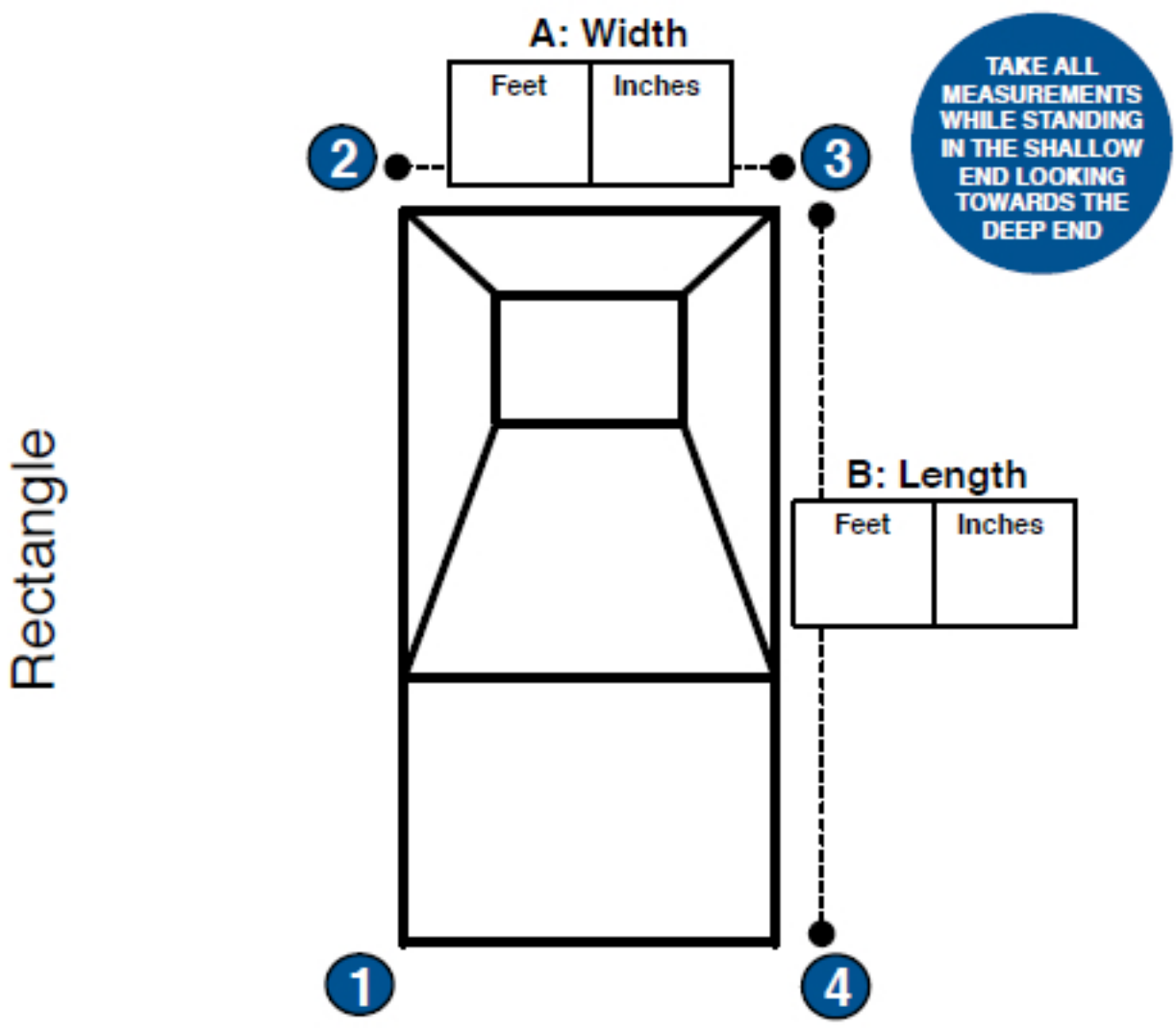
ATTACHMENT

Bead #1: Standard (Default Unless Otherwise Noted)
 Bead #2: Esther-Williams & Trojan
 Bead #3: Gibraltar & Wilkes
 Bead #4: Kayak

Overlap* Overlap Amount: _____ In.
* Upcharge Added Put Gussets On Each Corner

Ship Via: _____

Inground Pool Onground or Aboveground Pool
 New Pool Liner Replacement Liner
 Residential Commercial † Indoor Pool †
† Commercial & Indoor Residential Liners Carry A 90 Day Warranty



Notes:

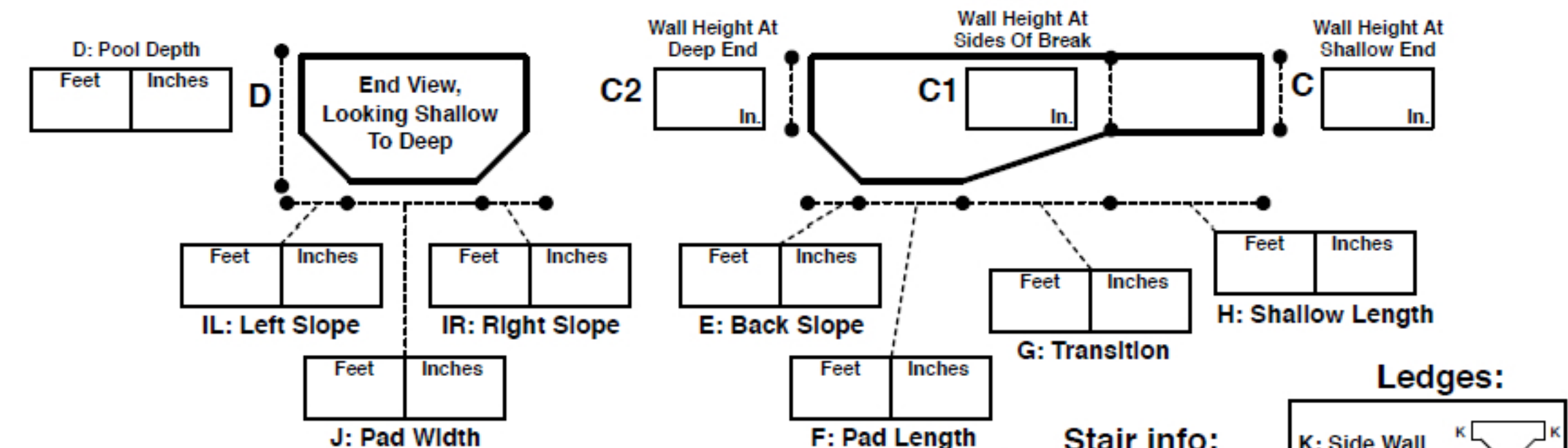
Corners:

1 Feet Inches
 90° Diagonal Radius

2 Feet Inches
 90° Diagonal Radius

3 Feet Inches
 90° Diagonal Radius

4 Feet Inches
 90° Diagonal Radius



Contact Us If You Need An Order Form For These Shapes



Stair info:

Does The Pool Have A Vinyl Covered Stair ?
 YES NO
 If Yes, Please Provide All The Necessary Stair Information

Ledges:

K: Side Wall
 Feet Inches

K1: Back Wall
 Feet Inches